

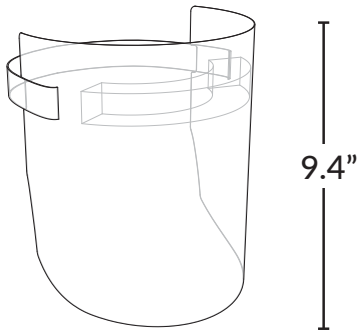


MEDICAL FACE SHIELD

HEALTH CANADA CERTIFIED
MDEL 12444 (COMPANY ID 154615)

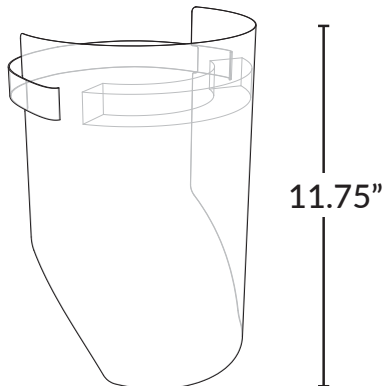
MFSD-SD
Medical Face Shield
Standard Size

10,000+ \$3.31 /unit
100,000+ \$2.99 /unit



MFSD-EX
Medical Face Shield
Extended Size

10,000+ \$3.57 /unit
100,000+ \$3.15 /unit



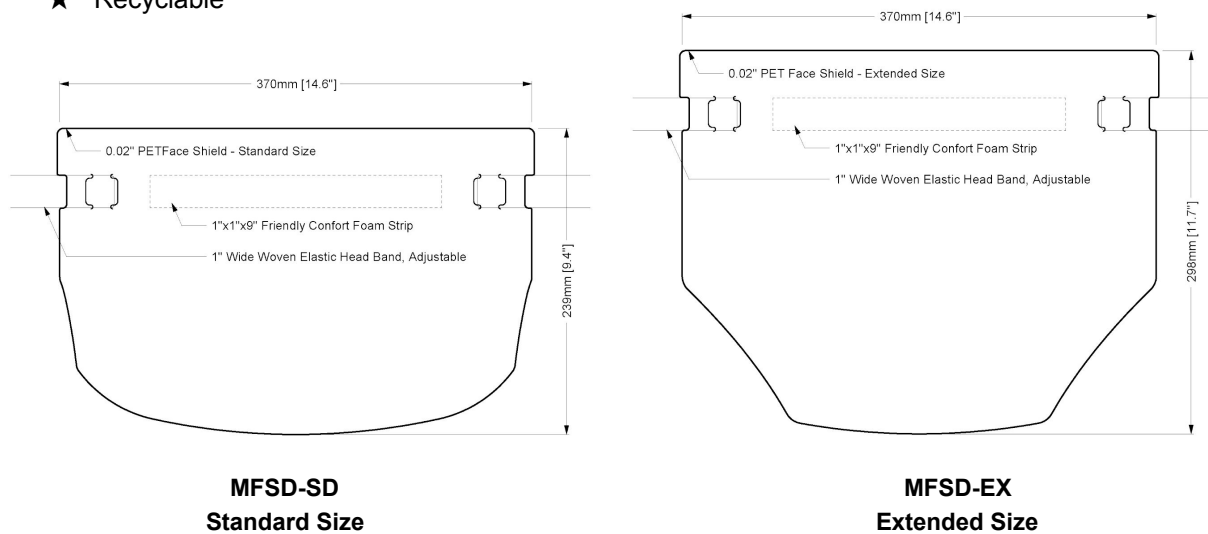
- ✓ 100% Made in Ontario, Canada
- ✓ Health Canada licensed
- ✓ Optically clear, anti-fog
- ✓ Full coverage sealed protection
- ✓ Recyclable PET plastic
- ✓ Skin-friendly foam
- ✓ One size fits all

ORDERS:
sales@hotpopfactory.com
(416) 837-8069

Product Description

The Medical Disposable Face Shield is designed to protect against liquid splashes by covering the entire face including the eyes, nose and mouth area. The face shield is available in STANDARD and EXTENDED sizes below.

- ★ 100% Made in Ontario, Canada
- ★ Health Canada Establishment License
- ★ One Size Fits All
- ★ Recyclable



Features

- Made from a lightweight, recyclable plastic material
- Optically clear, anti-fog plastic material that covers the entire human face.
- Durable headband that is easily adjustable to comfortably fit adult hat sizes from XS to XXL (21" - 26" head circumference).
- Can be worn for periods of up to 8-12 hours per day.
- Includes skin-friendly comfort strip made from a lightweight foam which prevents moisture absorption and has a soft flexible composition making it comfortable even for extended periods.

Technical Details

Materials:

Face Shield and Head Band: PET (Polyethylene Terephthalate)

Skin-friendly Comfort Strip: 100% closed cell LDPF(Low Density Polyethylene Foam)

Dimensions (MDFA-SD):

Face Shield
Width: 370mm
Length: 239mm
Thickness: 0.5mm

Elastic Head Band
Width: 25mm
Length: 530mm

Foam Strip
Width: 25mm
Length: 229mm
Thickness: 25mm

Packaging

40 units per corrugated board carton of face shields, includes assembly, proper care and use instructions in bilingual (French/English).

Contact Us



215 Spadina Ave. Suite B05, Toronto, ON, M5T2C7



416 837 8069



sales@hotpopfactory.com